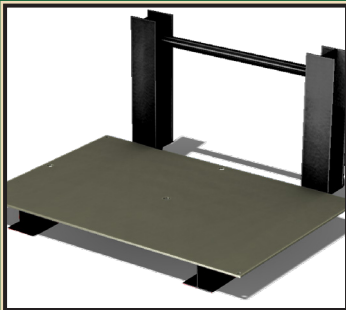
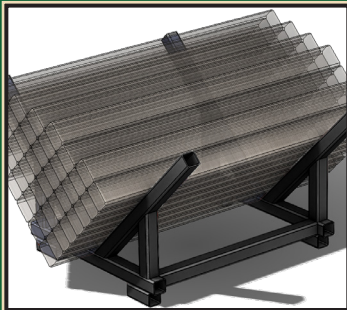
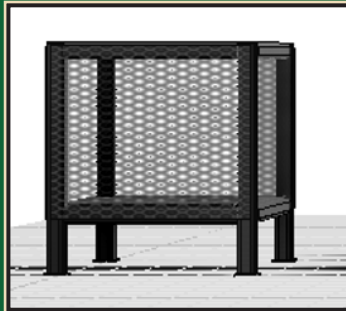
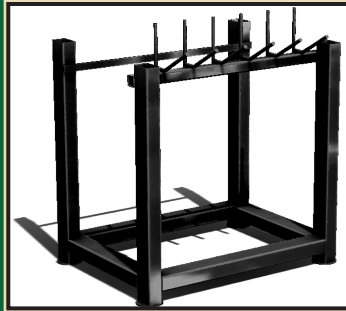
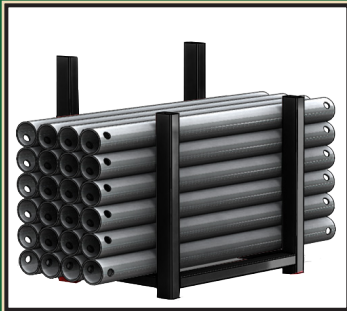


# EFFICIENCY PRODUCTION

AMERICA'S TRENCH BOX BUILDER™

## Branch Support Products

↑ DUNNAGE RACK • ROLL-OVER FIXTURE • SPREAD RACKS ↓



↑ STORAGE BINS • FINNFORM RACK • ROAD PLATE RACK ↓

← PIPE PLUG TEST STAND • XTREME WORK STANDS • RIGGING RACK →

EFFICIENCY PRODUCTION  
Branch Support Products



America's Trench Box Builder™

EFFICIENCY  
PRODUCTION, INC.  
800-552-8800

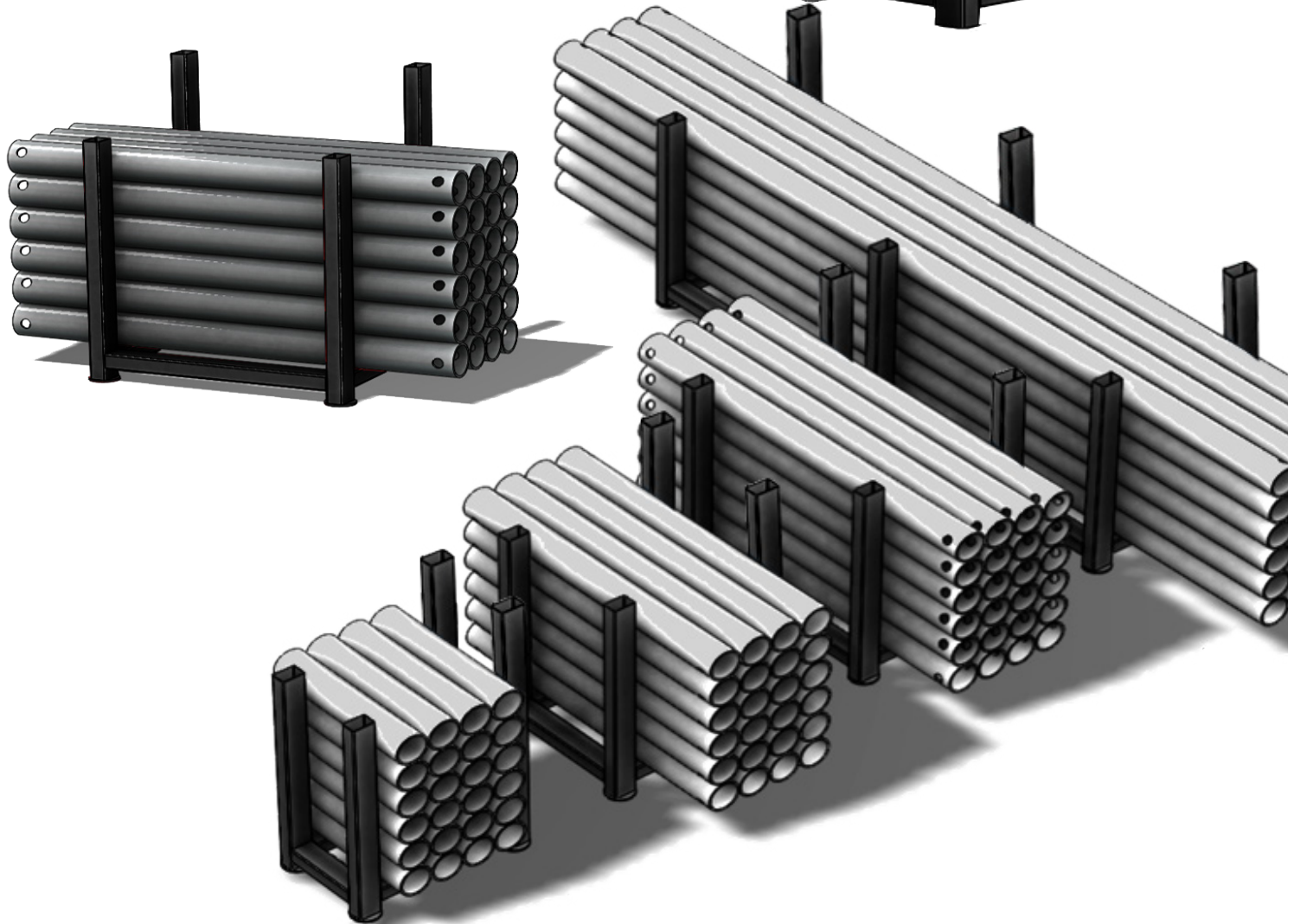
www.encyproduction.com • 800-552-8800 • Fax 517.676.0373

ARCOSA  
SHORING PRODUCTS

# Extended Back Spreader Rack

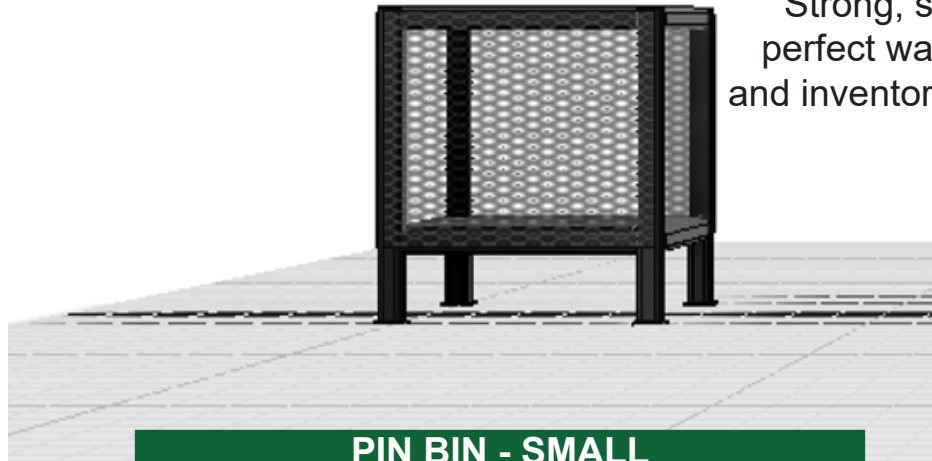
**Extended Back Spreader Racks** come in sizes to accommodate most lengths of spreaders. The racks are designed to hold up to 24 **8" Schedule 80 Pipe**, or other size pipe.

EXTENDED BACK SPREADER RACK	
Description	Weight (lbs.)
Small Extended Spreader Rack	411 lbs.
Medium Extended Spreader Rack	435 lbs.
Large Extended Spreader Rack	479 lbs.
XLarge Extended Spreader Rack	579 lbs.
XXL Extended Spreader Rack	879 lbs.



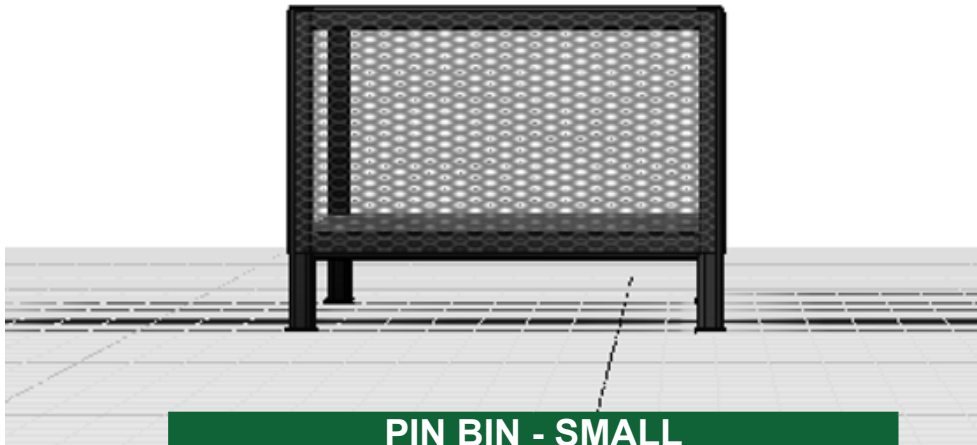
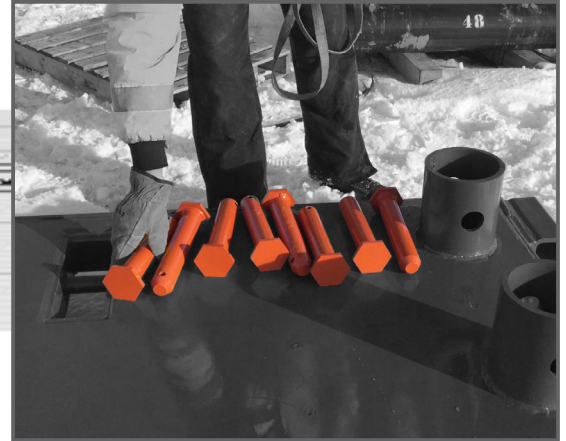
# Storage Bins

Strong, steel and mesh screen bins are the perfect way to keep spreader pins organized and inventoried. **Pin Bins** come in three sizes.



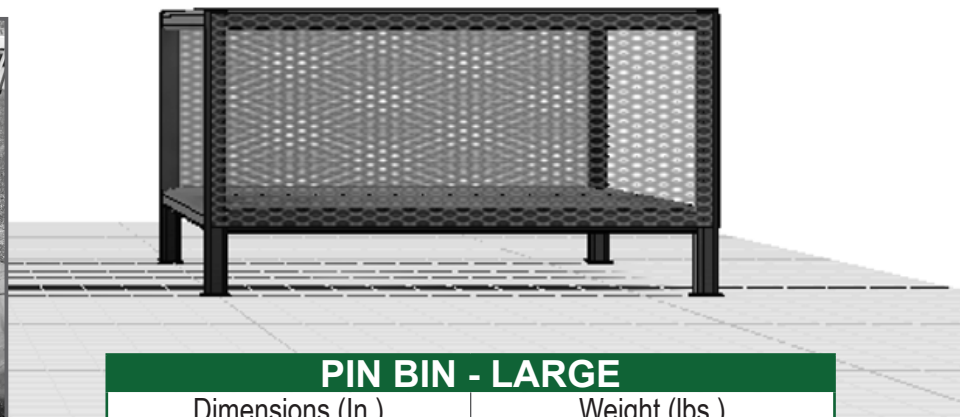
## PIN BIN - SMALL

Dimensions (In.)	Weight (lbs.)
24 x 24 x 19 Deep	184



## PIN BIN - SMALL

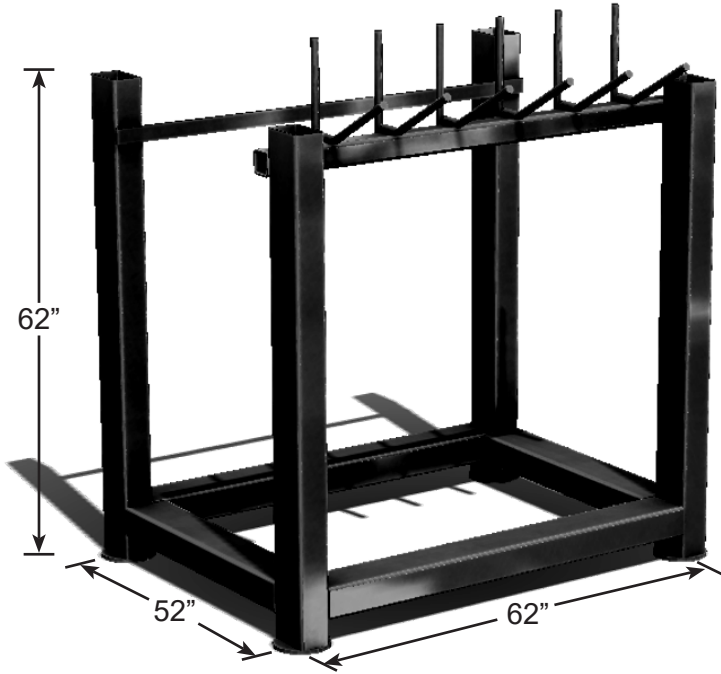
Dimensions (In.)	Weight (lbs.)
36 x 36 x 19 Deep	304



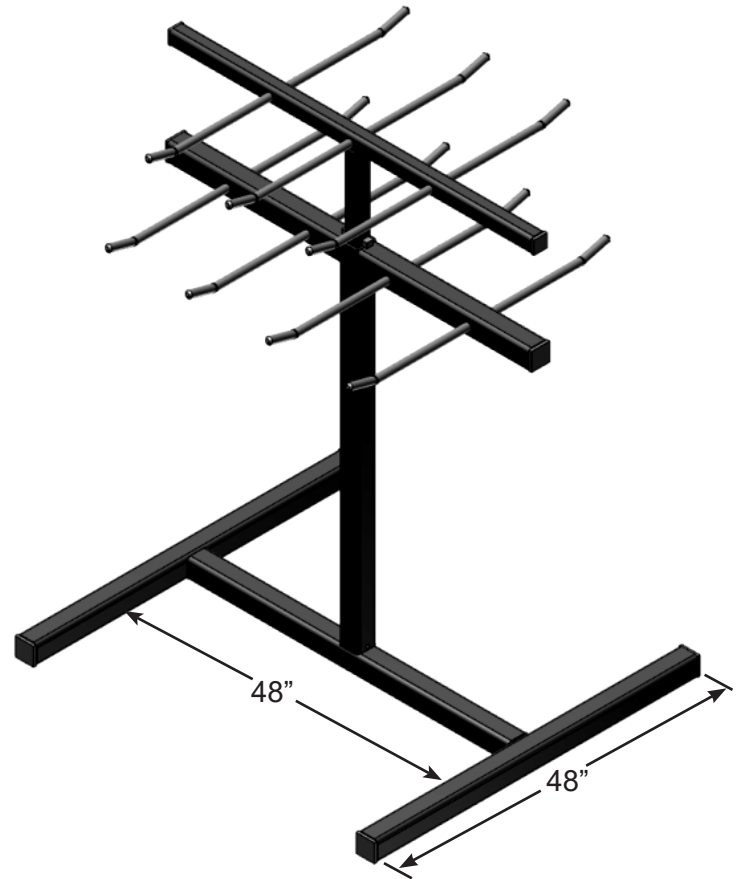
## PIN BIN - LARGE

Dimensions (In.)	Weight (lbs.)
48 x 48 x 19 Deep	456

# Rigging Rack



Rigging straps and cables are most often the items to be “left in a pile.” Efficiency Production’s **Rigging Rack** helps keep all types and lengths of rigging organized, while making it easy to determine the rigging’s condition for safe use. Rigging Racks come in two styles.



RIGGING RACK	
Description	Weight (lbs.)
Cube Style Rigging Storage Rack	550

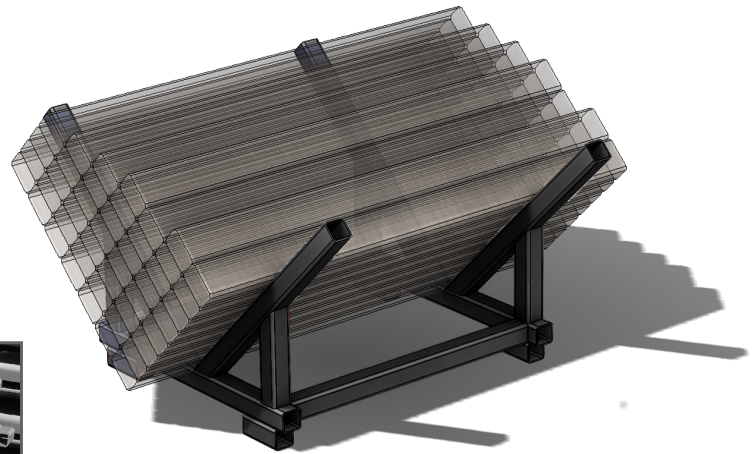


RIGGING RACK	
Description	Weight (lbs.)
Hook & Rigging Storage Rack	550

# Dunnage Rack



Efficiency Production's **Dunnage Rack** keeps all lengths and sizes of dunnage off the ground and easily accessible.



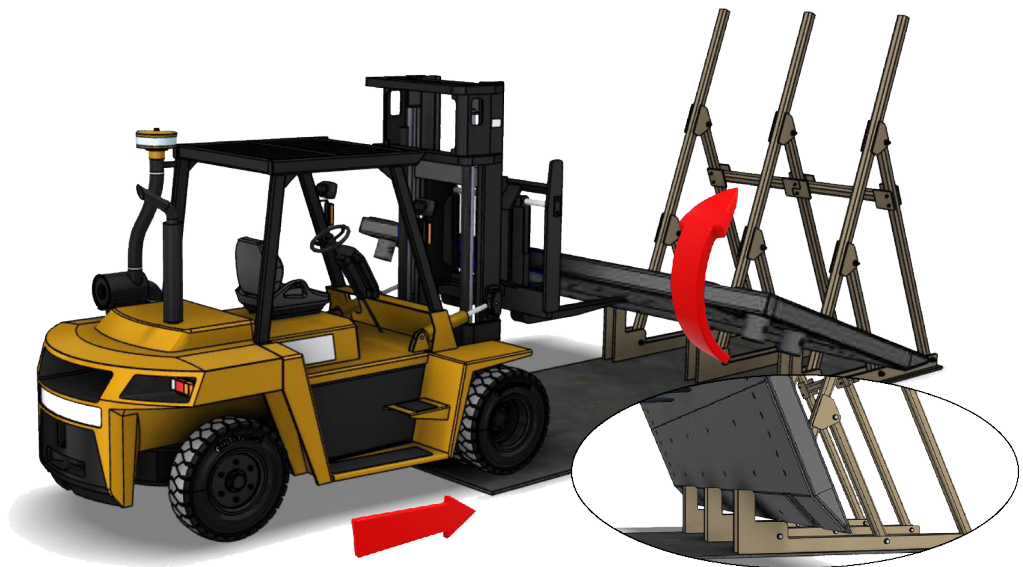
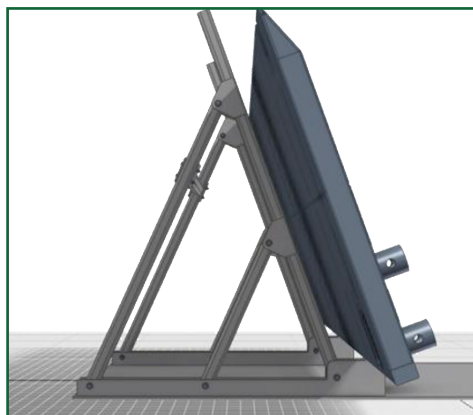
DUNNAGE RACK	
Description	Weight (lbs.)
V-Style Dunnage Rack	550



# ROLL-OVER FIXTURE

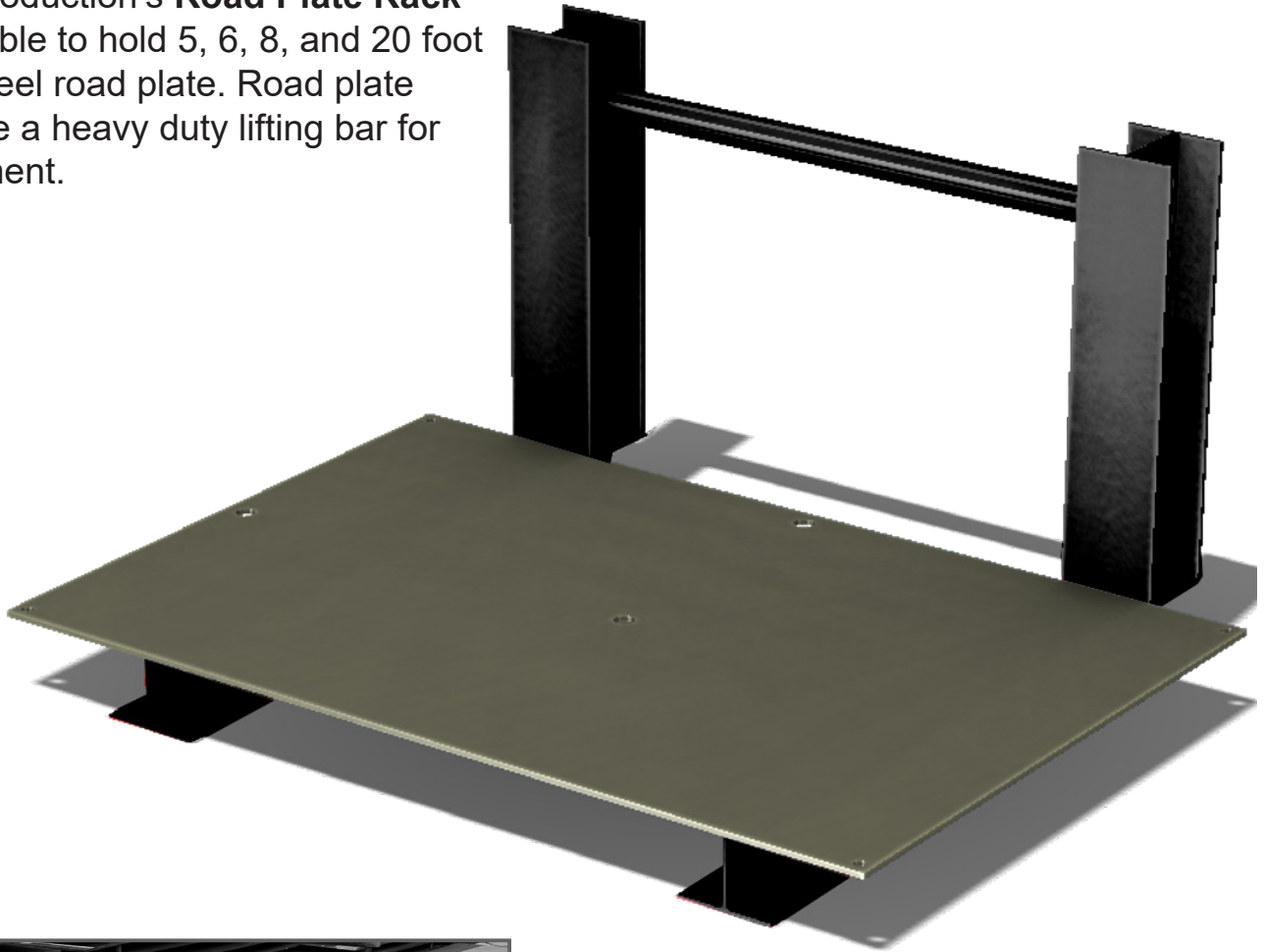
Arcosa Shoring's **Roll-Over Fixture** rack provides an easy and safe procedure to roll over trench shields sidewalls using a forklift.

ROLL-OVER FIXTURE	
Description	Weight (lbs.)
Trench Shield Assembly Assistance	10,361



# Road Plate Rack

Efficiency Production's **Road Plate Rack** is customizable to hold 5, 6, 8, and 20 foot lengths of steel road plate. Road plate racks include a heavy duty lifting bar for easy movement.



ROAD PLATE RACK	
Description	Weight (lbs.)
5' Road Plate Rack	2,696
6' Road Plate Rack	2,874
8' Road Plate Rack	3,230
20' Road Plate Rack	4,874

# FinForm Rack



Efficiency Production's **FinForm Rack** is a great way to keep 8 or 10 foot lengths of FinnForm, Chudoform or other types of shoring boards off the ground and organized; and easy to inventory.

FINNFORM RACK	
Description	Weight (lbs.)
FinnForm 4' x 8' Rack	905
FinnForm 4' x 10' Rack	1,065



## PIPE PLUG TEST STAND

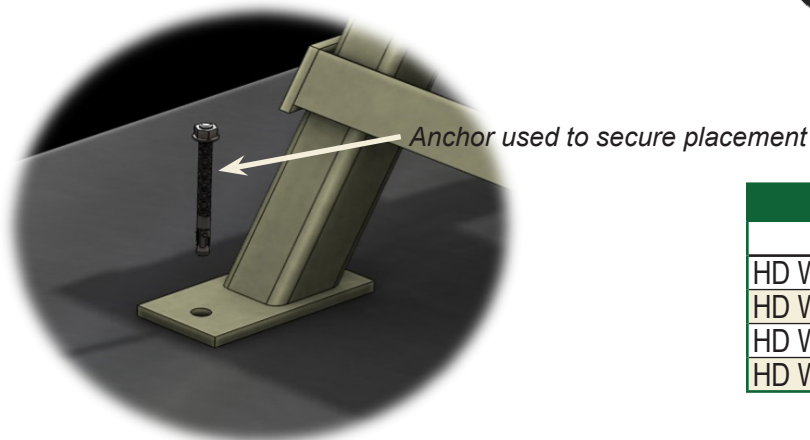
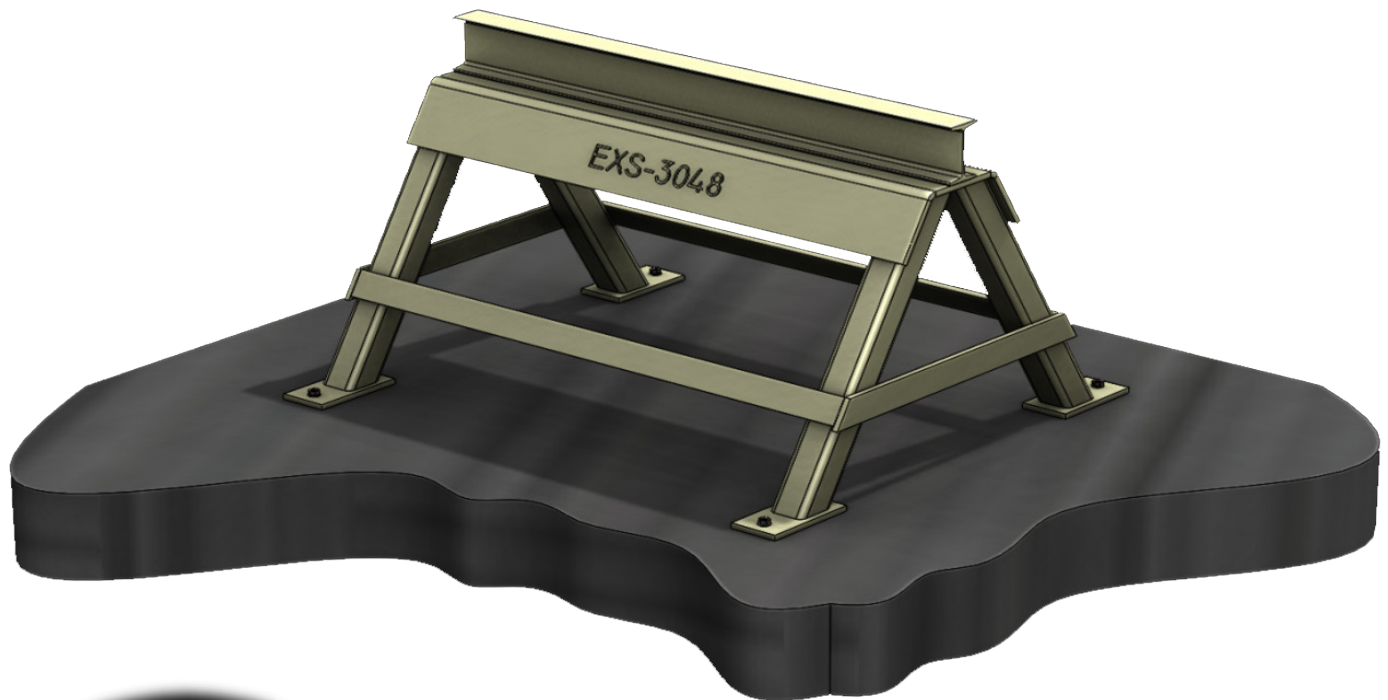
Efficiency Production manufactures a **Test Stand** for Pipe Plugs. Secured chambers and pressure gauges are contained in one unit to accommodate 6", 10", 16", 18", 28", and 48" pipe pugs.

PIPE PLUG TEST STAND	
Description	Weight (lbs.)
Test Stand for Pipe Plugs	6,020



# Extreme Work Stands

With a maximum load rating of 20,000 lbs., the **Extreme Work Stand** provides a safe platform when repairing equipment in your rental fleet. Extreme Work Stands are 30" tall and are available in 24", 36" and 48" lengths.



## EXTREME WORK STANDS

Description	Weight (lbs.)
HD Work Stand 30" x 24" x 24"	265
HD Work Stand 30" x 24" x 30"	290
HD Work Stand 30" x 24" x 36"	311
HD Work Stand 30" x 24" x 48"	362