

# XLAP™

## “Xtra Light” 3 in. Aluminum Panel Trench Shields

### Purpose:

Efficiency’s XLAP series aluminum panel trench shields are designed specifically for municipalities, utilities, and contractors who use rubber-tired backhoe/loaders and small excavators for trenching. XLAP is compatible and stackable with Build-A-Box.

### Common Applications:

- Sewer & Water Valves
- Hydrants & Taps
- Spot Repairs
- Gas and Electric Utility

### Features:

- Compatible with Build-A-Box
- Narrow, smooth aluminum sidewalls reduce dirt build-up
- Foam-filled
- Pulling and lifting lugs
- Professional Engineer design and depth certification

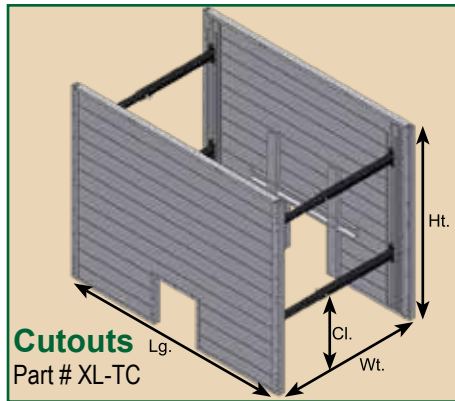
### Options & Accessories:

- T-connection cut-outs
- End panel connector bracket
- Stacking pockets
- knife edge
- Adjustable legs
- Wheel kit

### Spreader Options:

- XL adjustable spreaders
- Spreader Arches

Spreaders Single Adj. Square Tube		
Model Length (In.)	Item	Weight (Lbs.)
XL-2436-1	7514	35
XL-3660-1	7515	47
XL-4872-1	7516	61
XL-6096-1	7570	76
XL-72120-1	7518	110
XL-84144-1	7519	132



XLAP 3 in. Aluminum double Sidewall Trench Shield						
Model (Ft.) <i>XLAP-Ht.Lg.</i>	Weight (Lbs.)	Pipe Cl. (In.)	Shield Cap (PSF)	Depth of Cut (Ft.) Soil Type		
				B	C-60	C-80
XLAP-46	470	10	2,400	53	40	30
XLAP-48	590	10	1,740	39	29	22
XLAP-410	700	10	1,140	25	19	14
XLAP-412	820	10	840	19	14	11
XLAP-414	940	10	600	13	10	8
XLAP-416	1,050	10	480	11	8	6
XLAP-66	690	30	1,800	35	30	23
XLAP-68	850	30	1,440	27	24	18
XLAP-610	1,020	30	1,020	21	17	13
XLAP-612	1,190	30	840	16	14	11
XLAP-614	1,360	30	660	12	11	8
XLAP 616	1,520	30	480	11	8	6
XLAP-86	900	30	1,800	35	30	23
XLAP-88	1,120	30	1,440	27	24	18
XLAP-810	1,340	30	1,020	21	17	13
XLAP-812	1,560	30	840	17	14	11
XLAP-814	1,770	30	720	13	12	9
XLAP-816	1,990	30	480	11	8	6
XLAP-108	1,380	24	1,200	24	20	15
XLAP-1010	1,650	24	960	20	16	12
XLAP-1012	1,920	24	840	19	14	11
XLAP-1014	2,190	24	660	15	11	8