

Build-A-Box

Aluminum Octagon Box

Modular Aluminum Octagon-Configured Trench Shield

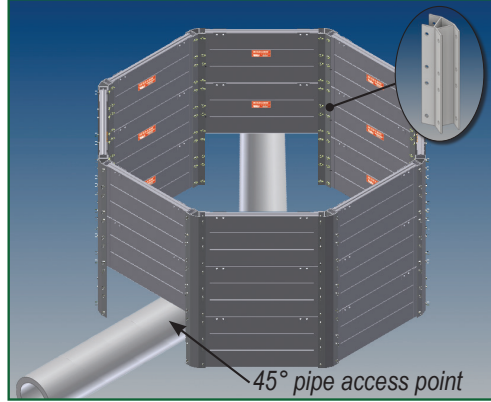
Advantages:

Efficiency Production unveils the newest innovation to its industry-leading Build-A-Box Modular Aluminum Trench Shielding System: a lightweight, *Aluminum Octagon Box*.

The Aluminum Octagon Box is comprised of standard Build-A-Box panels, pinned in exclusive 135° angle vertical posts. The result is a safe, lightweight, “manhole shield” that is perfectly designed to shore tightly around odd-angled laterals and other manhole leads.

Features:

- Comprised of standard 2’ tall Build-A-Box aluminum panels; from 2’ -5’ lengths
- Inside diameter space ranging from 61” to 148”
- Provides eight different lateral pipe access points by leaving out 2’ bottom panel

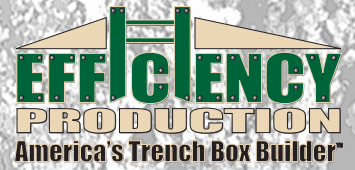


Octagon 135° BAB Corner Posts

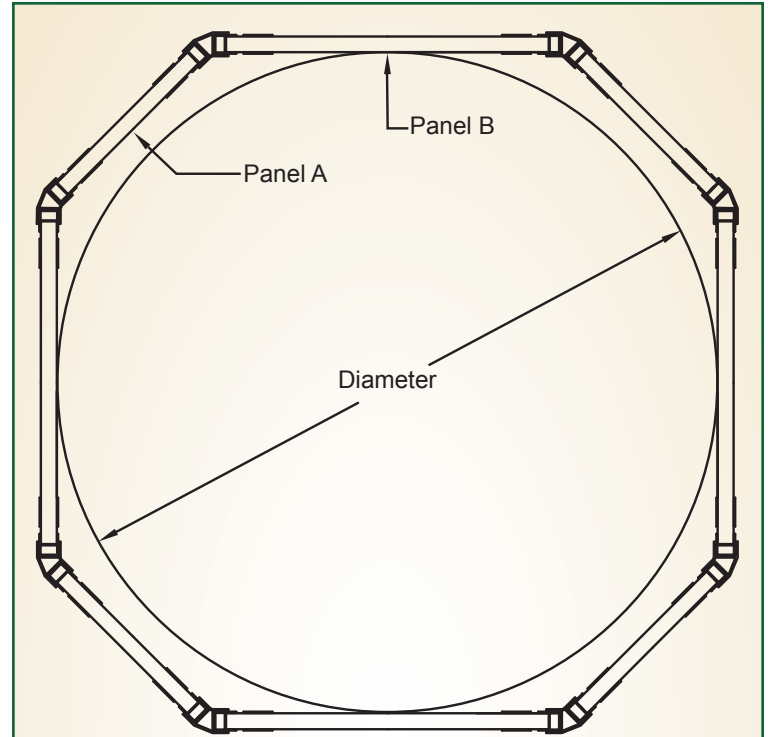
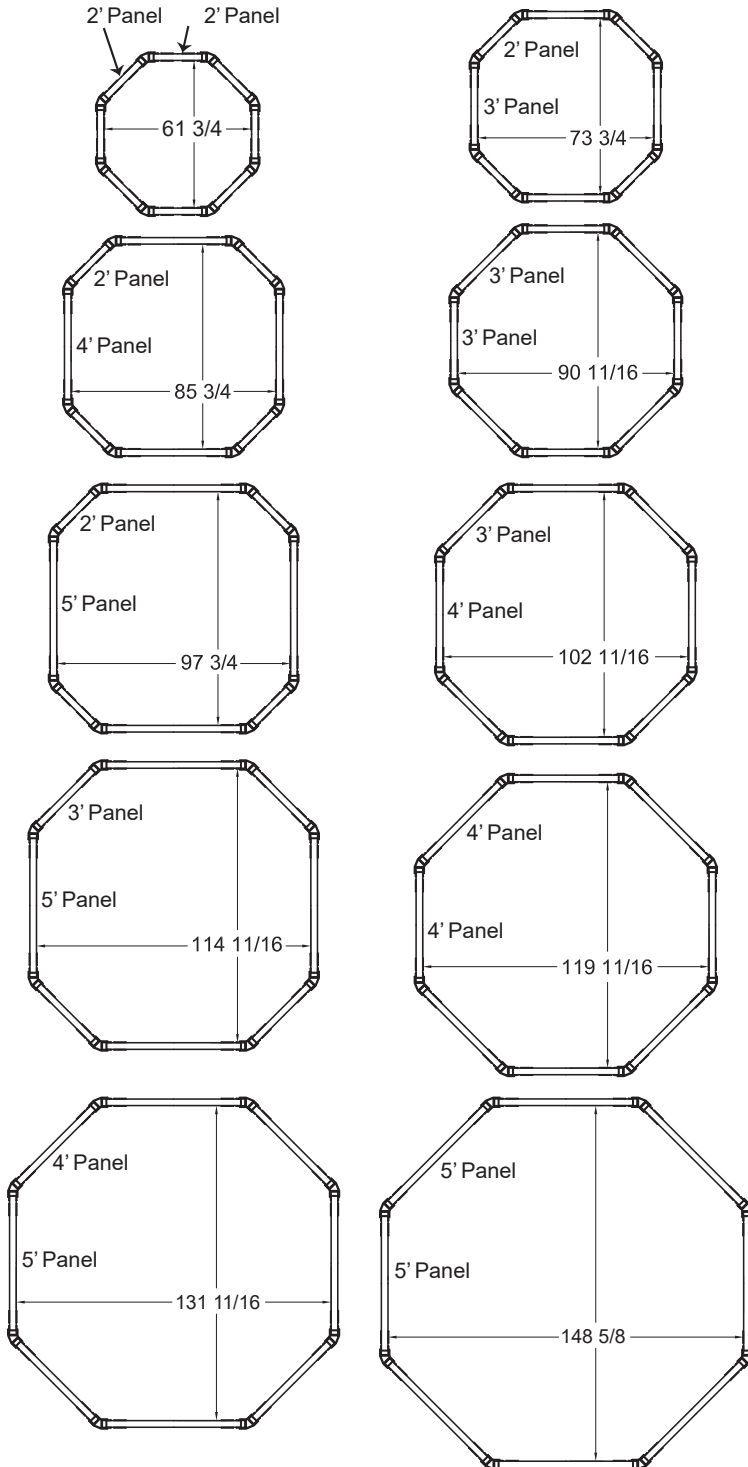
Model	Length (In.)	Weight (Lbs.)
BBC-OCT-24	24	22
BBC-OCT-36	36	33
BBC-OCT-48	48	44
BBC-OCT-60	60	55
BBC-OCT-72	72	66
BBC-OCT-84	84	77
BBC-OCT-96	96	88
BBC-OCT-120	120	110
BBC-OCT-144	144	132



Build-A-Box Octagon Box



Up to 12 ft. Inside Diameter, Eight Pipe Access Points



Plan View

Diameter	Panel A	Panel B
61-in	BAB-2	BAB-2
73-in	BAB-2	BAB-3
85-in	BAB-2	BAB-4
90-in	BAB-3	BAB-3
97-in	BAB-2	BAB-5
102-in	BAB-3	BAB-4
114-in	BAB-3	BAB-5
119-in	BAB-4	BAB-4
131-in	BAB-4	BAB-5
148-in	BAB-5	BAB-5



Efficiency Production

685 Hull Rd.
Mason, MI 48854
Phone: 800-552-8800
Fax: (517) 676-0375
www.efficiencyproduction.com

